

# CHT CHT-V

## Centrifugal roof extractors

### Construction Characteristics

- Cold laminated steel base-plate.
- Backward-curved centrifugal turbine. Dynamically balanced and low sound level.
- Asynchronous motors with squirrel-cage rotor.  
Single-phase 230V, 50 Hz, IP-54 protection, class F insulation.  
Three-phase 230/400V, 50 Hz. IP 55 protection and Class F thermal insulation.
- Cowl with anti-corrosive protection.
- Standardised safety guard in accordance to DIN 24167.
- Aluminium cooling wheel.
- Corrosion-proof finish in polyester resin, polymerised at 180°C, after degreasing, phosphating and passivation pre-treatment.
- On request:
  - 60 Hz motors.
- Our series of extractors are equipped for continuous work with fluid at 120°C; maximum temperature: 400°C/2hours.

• Series with LGA1 certification in accordance with European standard EN12102-3.



400°C/2h  
Exterior

**120° C**  
Continuous  
functioning



CHT CHT-V

### Technical characteristics

Model	Velocity (r/min)	Max. admissible current (A)		Installed power (kW)	Max. airflow (m3/h)	Sound level pressure <sup>(1)</sup> at 2/3 of Qmax. dB(A)		Approx. weight Kg.	
		230V	400V			Aspiration	Discharge	CHT	CHT-V
CHT-200-4T	1350	1,58	0,91	0,25	1450	37	43	25	30
CHT-200-4M	1380	0,65		0,25	1450	37	43	25	30
CHT-225-4T	1350	1,58	0,91	0,25	2100	41	47	25	30
CHT-225-4M	1380	0,95		0,25	2100	41	47	25	30
CHT-225-6T	950	1,47	0,85	0,25	1400	30	36	26	31
CHT-225-6M	890	0,50		0,25	1400	30	36	26	31
CHT-250-4T	1350	1,58	0,91	0,25	3100	45	50	34	43
CHT-250-4M	1380	1,35		0,25	3100	45	50	34	43
CHT-250-6T	950	1,47	0,85	0,25	2000	33	40	35	44
CHT-250-6M	890	0,65		0,25	2000	33	40	35	44
CHT-315-4T	1395	2,51	1,45	0,55	4950	48	54	39	48
CHT-315-4/8T	1435 / 715		1,60 / 0,60	0,55 / 0,09	4950 / 2475	48 / 33	54 / 39	40	49
CHT-315-4M	1380	3,30		0,55	4950	48	54	39	48
CHT-315-6T	925	2,10	1,21	0,37	3200	37	43	39	48
CHT-315-6M	910	0,95		0,37	3200	37	43	39	48
CHT-400-4T	1395	3,84	2,22	0,75	7000	55	61	57	72
CHT-400-4/8T	1425 / 710		2,30 / 0,90	0,75 / 0,12	7000 / 3500	55 / 40	61 / 46	58	73
CHT-400-4M	1380	4,40		0,75	7000	55	61	57	72
CHT-400-6T	925	2,10	1,21	0,37	4500	44	50	56	71
CHT-400-6M	910	1,80		0,37	4500	44	50	56	71
CHT-450-4T	1420	6,69	3,86	1,50	10200	59	64	66	81
CHT-450-4/8T	1455 / 725		4,00 / 1,50	1,50 / 0,25	10200 / 5100	59 / 43	64 / 49	66	81
CHT-450-6T	925	2,10	1,21	0,37	6900	47	54	59	74
CHT-450-6/12T	920 / 440		1,70 / 0,63	0,50 / 0,08	6900 / 3450	47 / 32	54 / 39	63	78
CHT-450-6M	910	2,00		0,37	6900	47	54	59	74
CHT-500-6T	920	5,04	2,90	1,10	12000	51	57	103	129
CHT-500-6/12T	940 / 460		3,50 / 1,20	1,30 / 0,20	12000 / 6000	51 / 36	57 / 42	110	136
CHT-500-8T	690	3,43	1,97	0,55	8900	44	50	103	129
CHT-560-6T	930	9,32	5,36	2,20	17300	54	61	126	164
CHT-560-6/12T	940 / 470		5,60 / 2,20	2,20 / 0,37	17300 / 8650	54 / 39	61 / 46	120	158
CHT-560-8T	700	5,90	3,39	1,10	12900	46	53	110	148
CHT-630-6T	935	12,20	7,00	3,00	24700	58	64	166	204
CHT-630-6/12T	950 / 470		9,40 / 3,40	4,00 / 0,75	24700 / 12350	58 / 43	64 / 49	161	199
CHT-630-8T	710	7,10	4,08	1,50	18400	50	57	148	186

<sup>(1)</sup> The sound level values are pressures in dB(A), measured at 6 metres and at 2/3 of maximum airflow (2/3 Qmax)



# CHT CHT-V

## Accoustic characteristics

The values indicated are calculated according to free-field sound output and pressure levels in dB (A) at a distance of 6 metres.

### Sound power spectrum Lw(A) in dB(A) by frequency band in Hz.

Aspiration values taken with 2/3 of maximum airflow (2/3 Qmax).

Model	63	125	250	500	1000	2000	4000	8000
200	35	41	52	55	56	52	50	44
225-4	42	51	56	56	60	59	52	46
225-6	31	40	45	45	49	48	41	35
250-4	46	55	60	60	64	63	56	50
250-6	34	43	48	48	52	51	44	38
315-4	50	56	62	62	65	68	59	53
315-6	39	45	51	51	54	57	48	42
315-8	35	41	47	47	50	53	44	38
400-4	57	63	69	69	72	75	66	60
400-6	46	52	58	58	61	64	55	49
400-8	42	48	54	54	57	60	51	45
450-4	62	69	74	74	78	77	70	65
450-6	50	57	62	62	66	65	58	53
450-8	46	53	58	58	62	61	54	49
450-12	35	42	47	47	51	50	43	38
500-6	54	60	65	66	70	69	62	55
500-8	47	53	58	59	63	62	55	48
500-12	39	45	50	51	55	54	47	40
560-6	57	63	68	69	73	72	65	58
560-8	49	55	60	61	65	64	57	50
560-12	42	48	53	54	58	57	50	43
630-6	61	67	72	73	77	76	69	62
630-8	53	59	64	65	69	68	61	54
630-12	46	52	57	58	62	61	54	47

Discharge values taken with 2/3 of maximum airflow (2/3 Qmax).

Model	63	125	250	500	1000	2000	4000	8000
200	39	44	58	60	61	61	56	51
225-4	41	50	60	64	67	64	57	51
225-6	30	39	49	53	56	53	46	40
250-4	44	53	63	67	70	67	60	54
250-6	34	43	53	57	60	57	50	44
315-4	49	61	69	71	72	72	64	56
315-6	38	50	58	60	61	61	53	45
315-8	34	46	54	56	57	57	49	41
400-4	56	68	76	78	79	79	71	63
400-6	45	57	65	67	68	68	60	52
400-8	41	53	61	63	64	64	56	48
450-4	60	72	80	82	83	80	73	65
450-6	50	62	70	72	73	70	63	55
450-8	45	57	65	67	68	65	58	50
450-12	35	47	55	57	58	55	48	40
500-6	50	64	72	76	75	72	66	60
500-8	43	57	65	69	68	65	59	53
500-12	35	49	57	61	60	57	51	45
560-6	54	68	76	80	79	76	70	64
560-8	46	60	68	72	71	68	62	56
560-12	39	53	61	65	64	61	55	49
630-6	57	71	79	83	72	79	73	67
630-8	50	64	72	76	72	72	66	60
630-12	42	56	64	68	67	64	58	52

To obtain sound power spectrum Lwa in dB(A) in aspiration at maximum airflow (Qmax), add the values from the following table to the LpA sound pressure level given in the characteristics curves:

Frequency band in Hz.							
63	125	250	500	1000	2000	4000	8000
2	9	15	15	18	18	11	5

### Variation of sound pressure according to distance:

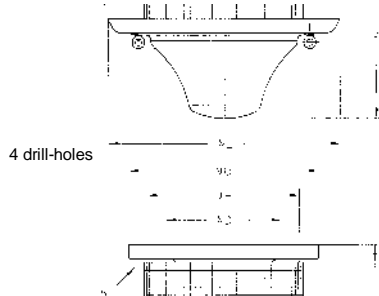
The sound level can vary depending on the roof structure.





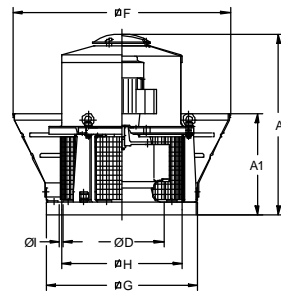
# CHT CHT-V

## Dimensions mm



Model	A	ØD*	ØF	G	H	ØI
CHT-200	505	250	553	450	360	12
CHT-225	523	250	553	450	360	12
CHT-250	575	355	700	560	450	12
CHT-315	628	355	700	560	450	12
CHT-400	748	500	842	710	590	12
CHT-450	765	500	842	710	590	12
CHT-500	875	630	1082	900	750	14
CHT-560	1000	710	1326	1100	850	14
CHT-630	1060	710	1326	1100	850	14

\* Recommended nominal tube diameter



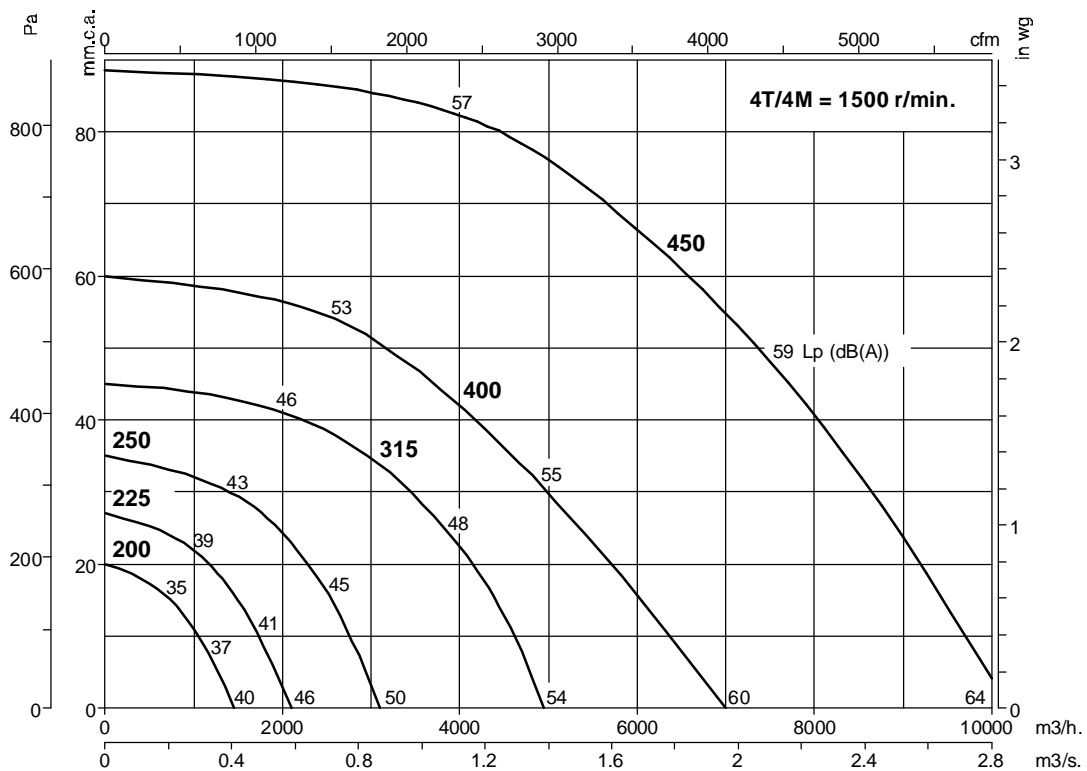
Model	A	A1	ØD*	F	G	H	ØI
CHT-V-200	538	303	250	646	450	360	12
CHT-V-225	556	303	250	646	450	360	12
CHT-V-250	585	370	355	834	560	450	12
CHT-V-315	660	370	355	834	560	450	12
CHT-V-400	721	465	500	1040	710	590	12
CHT-V-450	735	465	500	1040	710	590	12
CHT-V-500	852	515	630	1280	900	750	14
CHT-V-560	987	605	710	1550	1100	850	14
CHT-V-630	1045	605	710	1550	1100	850	14

\* Recommended nominal tube diameter



## Characteristics Curves

Q = Airflow in m<sup>3</sup>/h and m<sup>3</sup>/s  
 Pe = Static pressure in mm.c.a. and Pa.



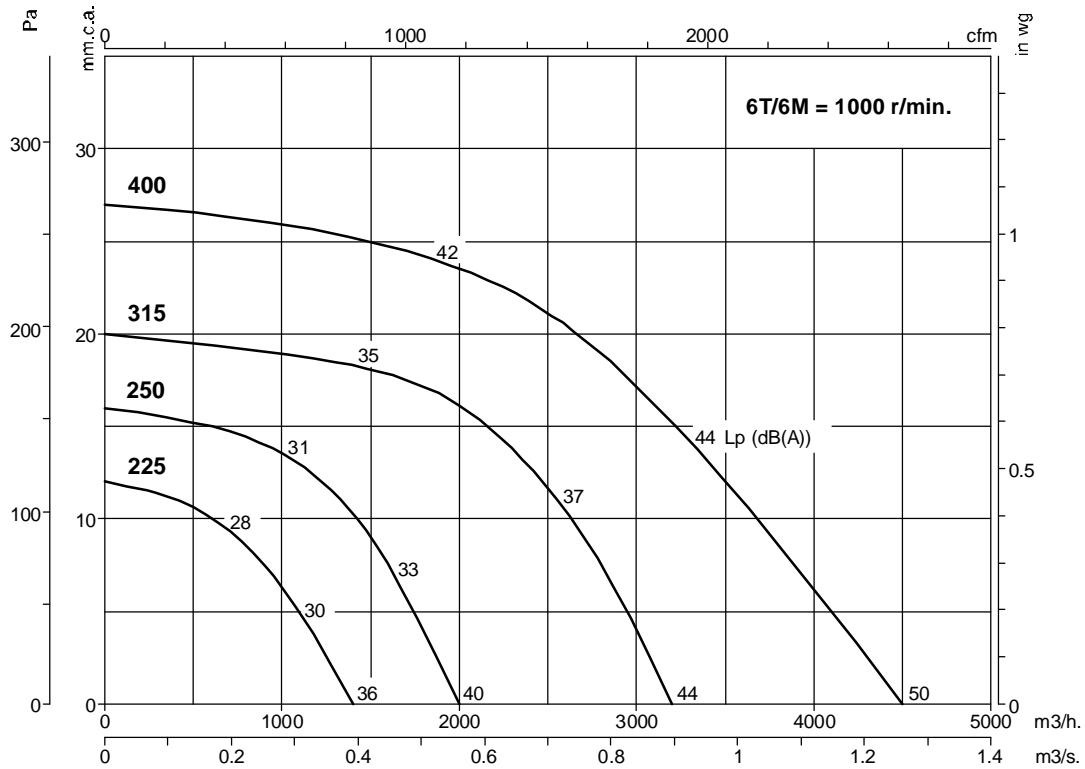


# CHT CHT-V

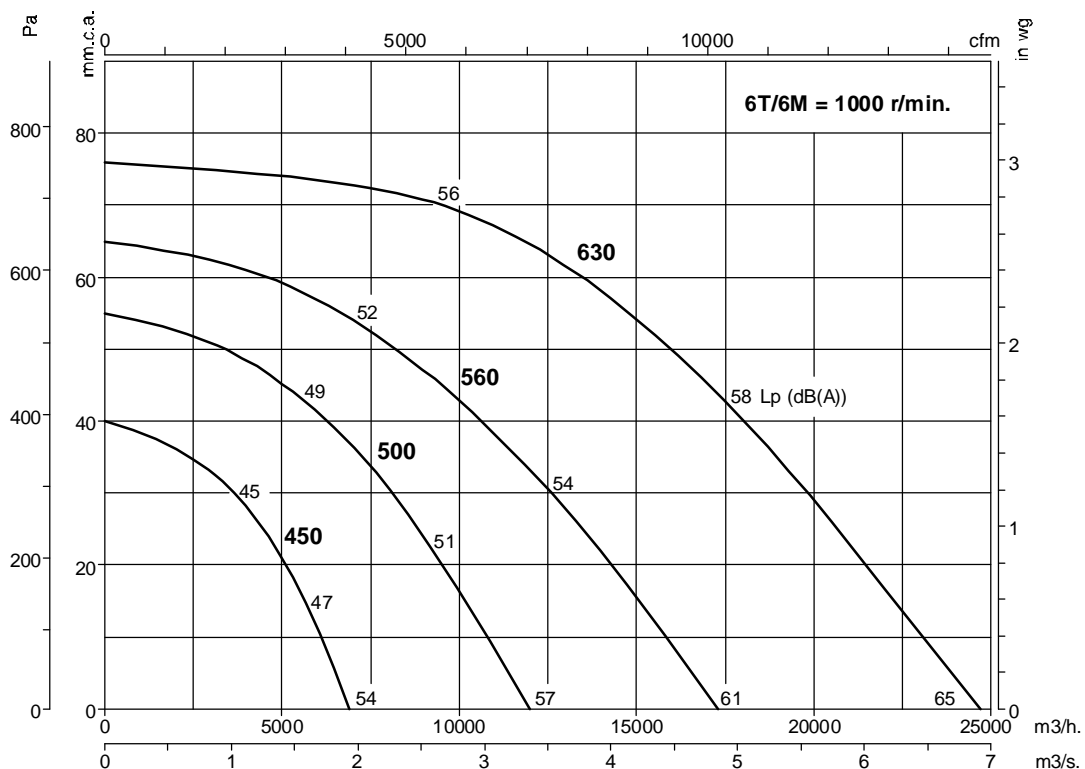
## Characteristics Curves

Q = Airflow in m<sup>3</sup>/h and m<sup>3</sup>/s

Pe = Static pressure in mm.c.a. and Pa.



The Lp sound levels (dB(A)) indicated on the curves are free-field aspiration pressures measured at 6 metres.



The Lp sound levels (dB(A)) indicated on the curves are free-field aspiration pressures measured at 6 metres.

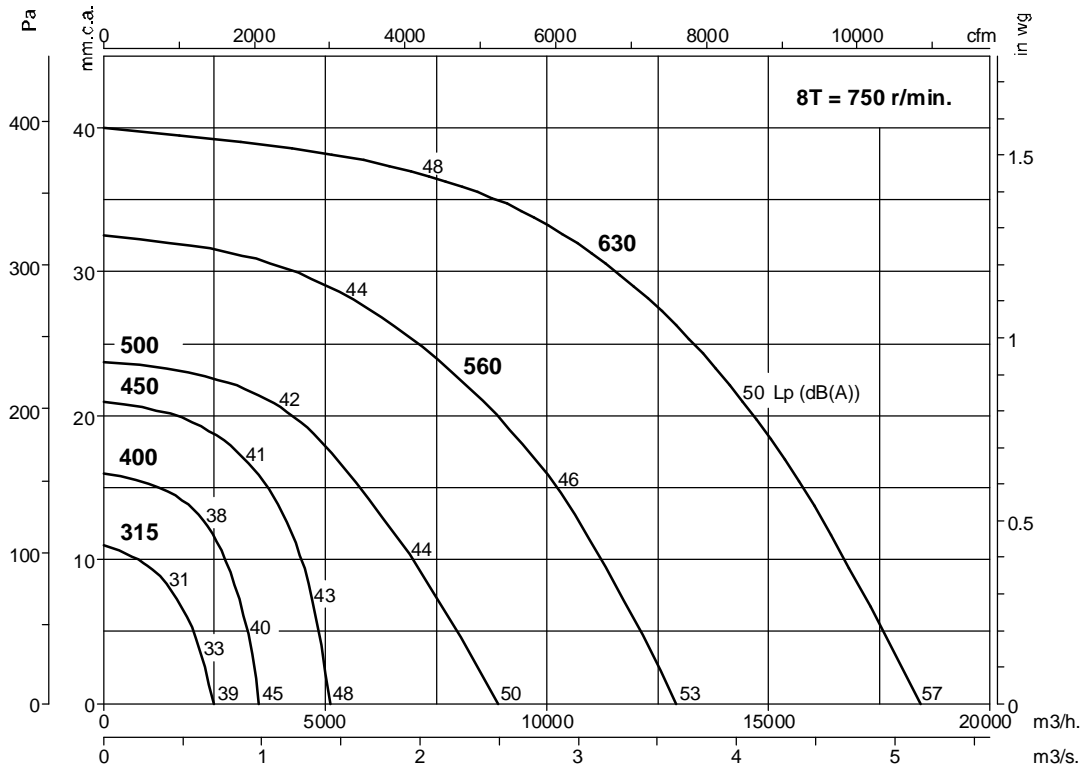




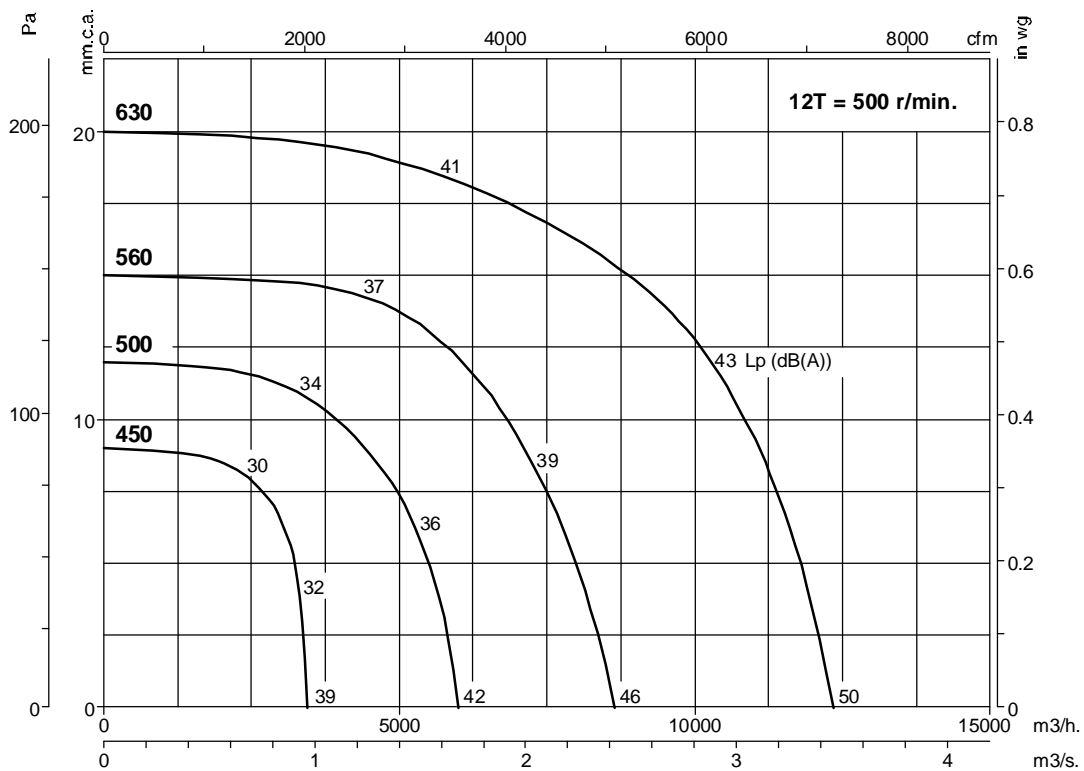
# CHT CHT-V

## Characteristics Curves

Q = Airflow in m<sup>3</sup>/h and m<sup>3</sup>/s  
 Pe = Static pressure in mm.c.a. and Pa.



The Lp sound levels (dB(A)) indicated on the curves are free-field aspiration pressures measured at 6 metres.



The Lp sound levels (dB(A)) indicated on the curves are free-field aspiration pressures measured at 6 metres.



# CHT CHT-V

**Accessories**

See pages 248 onwards.



INT



RM



RFT



BAC



B



PA



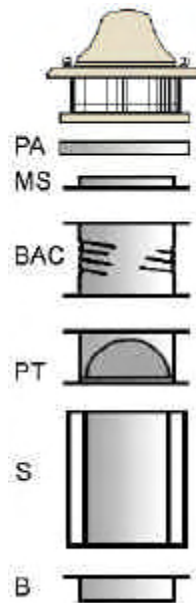
MS



PT



S



CHT CHT-V